



FN1850-ST

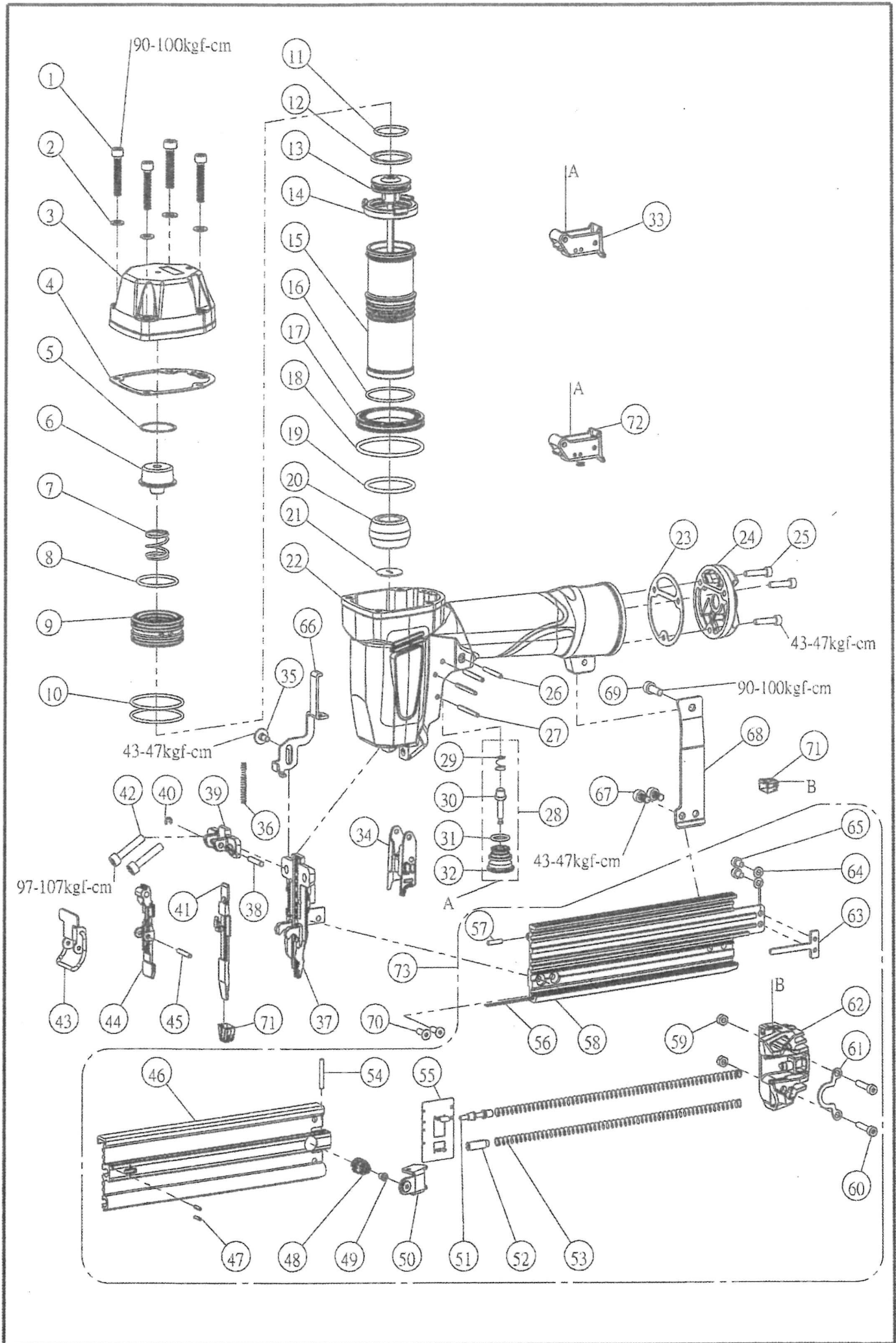
Brad Nailer



Schematic & Spare Parts List

Dimensions	241mm x 240mm x 60mm
Weight	1.4kgs
Operating Pressure	70—100 psi (5—7 bar)
Air Consumption	0.8 litre/sec
Loading Capacity	100

FN1850-ST



FN1850-ST		<i>NOTE: When ordering spare parts. Please state the part name and part number.</i>					
Item	Part NO.	Description	Q'ty	Item	Part NO.	Description	Q'ty
1	106227	Screw Socket Hd	4	51	105612	Pin	1
2	100638	Washer	4	52	105717	Pin	1
3	105443	Cylinder Cap Unit	1	53	105627	Pusher Spring	2
4	105445	Seal, Cylinder Cap	1	54	104044	Pin	1
5	105446	Spacer, Piston Stop	1	55	105613	Pusher	1
6	105447	Piston Stop	1	56	105618	Steel Channel	1
7	103575	Spring	1	57	106509	Pin	1
8	105449	O-Ring	1	58	105604	Magazine Core Assembly	1
9	105451	Head Valve Piston	1	59	100654	Lock Nut	2
10	105450	O-Ring	2	60	106858	Hex.Soc.Hd.Bolt	2
11	105454	O-Ring	1	61	106400	Spring Stopper	1
12	103563	Piston Ring	1	62	105616	Magazine Cap	1
13	105619	Main Piston Unit	1	63	105617	Stopper	1
14	105456	Cylinder Seal	1	64	100687	Spring Washer	2
15	105610	Cylinder	1	65	100778	Hex.Soc.Hd.Bolt	2
16	105458	O-Ring	1	66	105600	Contact Arm	1
17	105459	Cylinder Ring	1	67	100301	Screw Socket Hd	2
18	103738	O-Ring	1	68	105608	Magazine Bracket	1
19	105460	O-Ring	1	69	101688	Screw Socket Hd	1
20	105461	Bumper	1	70	105715	Screw Socket Hd	2
21	105611	Driver Guide	1	71	105614	No-Mar Tip	2
22	105463	Frame	1	72	105477	Trigger Unit (ST)	1
23	105468	Seal, End Cap	1	73	106726	Magazine Kit Assembly	(1)
24	105466	End Cap	1		106727	O-Ring Kit	(1)
25	105113	Hex.Soc.Hd.Bolt	3	MOQ for items in the following categories is 10pcs, order quantities under 10pcs for these items will be adjusted accordingly			
26	100174	Roll Pin	1				
27	100039	Roll Pin	3				
28	105469	Trigger Valve Unit	1	1.	Orings – not included in the oring kits		
29	105471	Compression Spring	1	2.	Screws, bolts		
30	105470	Valve Stem	1	3.	Pins - roll pin, solid pins		
31	105856	O-Ring	1	4.	Standard washers – not special washers.		
32	105473	Valve Body	1	5.	Nuts		
33	105474	Trigger Unit (CT)	(1)				
34	105482	Arm Guide	1				
35	105544	Screw Socket Hd	1				
36	106850	Compression Spring	1				
37	105594	Nose	1				
38	105534	Step Pin	1				
39	105598	Nose Guide	1				
40	109127	E-Retainer Ring	1				
41	106401	Lower Contact Arm	1				
42	100933	Screw Socket Hd	2				
43	105531	Nose Plate Lock	1				
44	105596	Cover, Contact Arm	1				
45	106097	Roll Pin	1				
46	105606	Cover, Magazine	1				
47	105624	Spring Pin	2				
48	105622	Spring	1				
49	106201	Bushing	1				
50	105615	Toggle, Magazine	1				